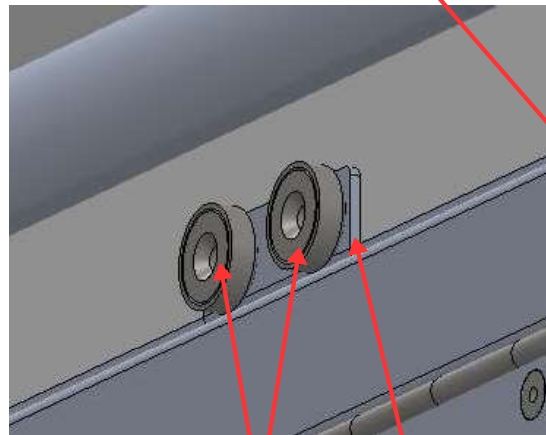
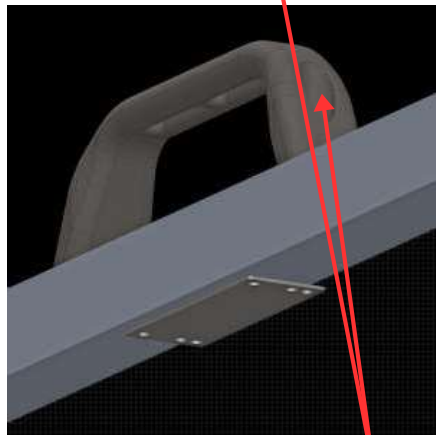
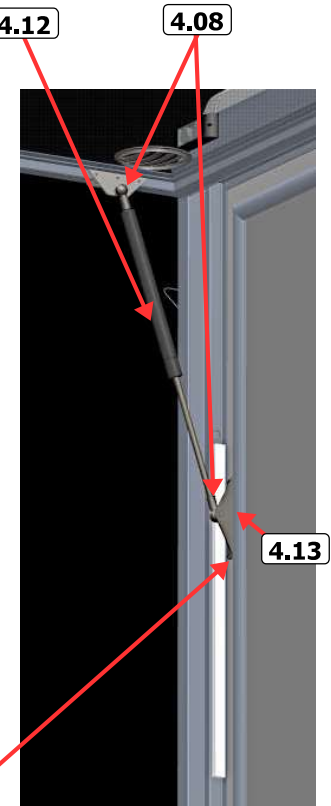
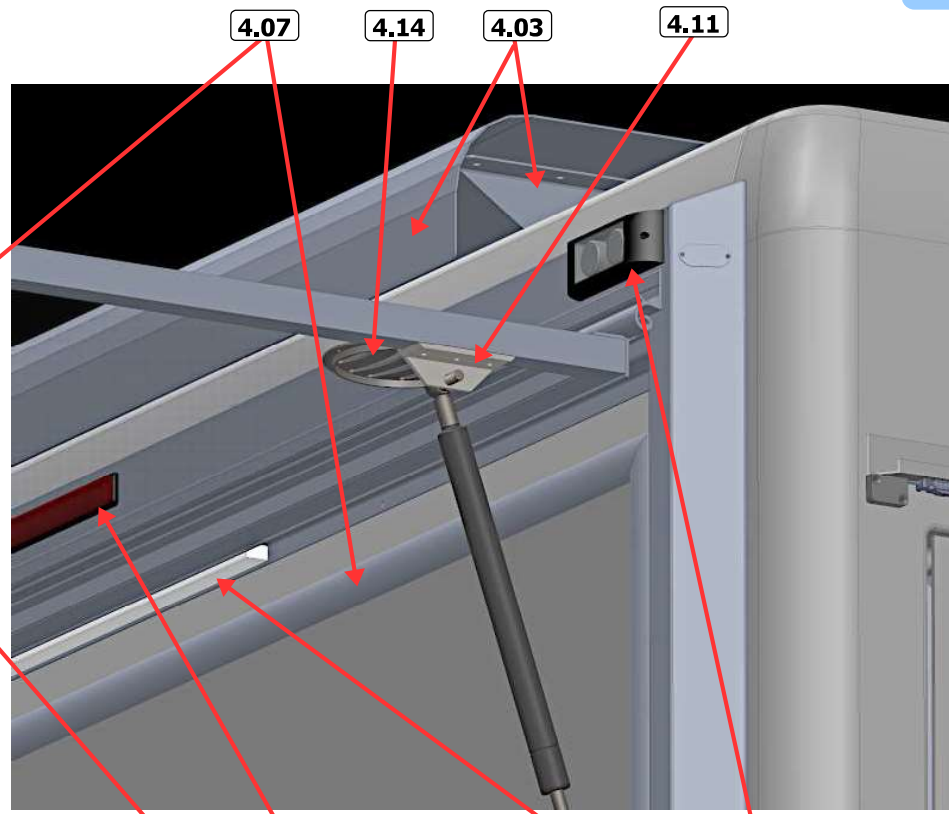
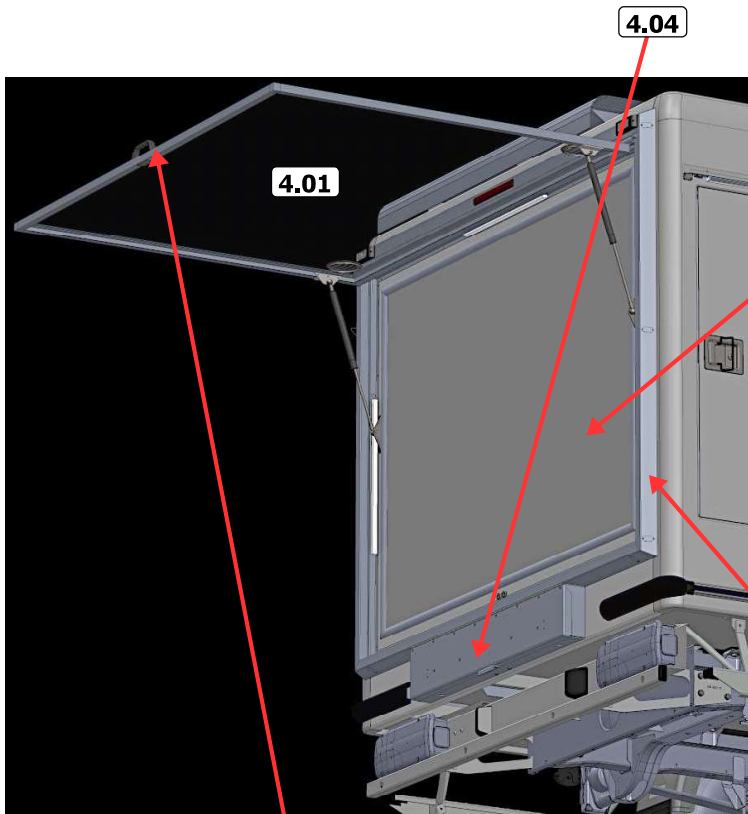


NB:
To order parts for control unit (3.09b), please refer to 101262 or 101969 which is enclosed to the set of body paperwork.



1.43

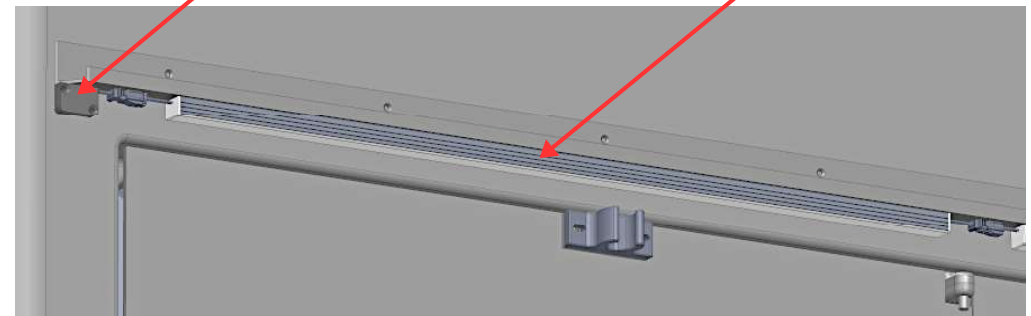
4.02

4.10

4.06

1.46

1.45



Description	Part Number CB (internal)	Part Number	Position in Catalog
Door, freezer, ass'y (middle handle position)	110005	700056610	1.01
Door, freezer, right side (lower handle position)	101601		
Door, freezer, left side (lower handle position)	101642		
Door painting			
Engine compartment door (middle handle position)	110006	700056611	1.02
Door painting			
Door lock without cylinder (painted white)	10001-01		1.03
Door lock without cylinder (stainless steel surface finishing)	10243		
Door lock cylinder	10001-02		1.04
Bracket for door retainer, complete		700061388	
Bracket for door retainer	102190	1	1.06
Door retainer, male	113860	1	
Door retainer, male	113860	1	1.07
Door retainer, female	113861	1	
Thermometer, external	10094	700056291	1.08
Top rain strip with holes (3490 mm)	102352		1.09
Basket rail with holes (3380 mm)	100273	700056301	1.10
Stop piece for basket rail	100274	700056672	1.11
40 mm protection strip 4 m long	S0011	700056299	1.12 & 13
End piece, black	10065	700056673	1.14
Plastic insert strip 40 mm black (Price/Meter)	10235		1.15
Bumper plug, black	10244	1	1.19
Rear bumper, black, central, complete		700061205	
Rear bumper, black, central piece	11280	1	1.17
Bumper plug, black	10244	4	1.19
Rear bumper, black, corner, complete		700061206	
Rear bumper, black, corner piece (left/right)	11281	1	1.18
Bumper plug, black	10244	2	1.19
Green control lamp, complete		700060272	
LED indicator, green	11351	1	1.20
Bushing for LED indicator	112278	1	
Spacer for LED indicator	112421	1	
O ring for LED indicator	12982	1	
Rafi bulb 24V 50mA	13258		1.21
CEE connector	10355		1.22
CEE connector, 3x230V (Norway)	11436		
Alu-steps right side Sprinter	S0093		1.25
Alu-steps right side Iveco	S0096		
Alu-steps left side Sprinter	S0094		1.26
Alu-steps left side Iveco	S0095		
Rear right step Sprinter/Iveco		700061190	
AL step RHR 900 mm, Sprinter/Iveco	102115	1	1.27
Tubular rivet RH 4.8x18 A2 DIN 7337	10139	2	
Rear step protection PVC	102131	1	

Description	Part Number CB (internal)	Part Number	Position in Catalog
AL step RHR Sprinter complete (FWD)	110194-01	700063985	1.27
Step middle part complete		700061196	1.28
Step middle part Sprinter/Iveco	102114	1	
Aluminium pin for steps	102207	2	1.28
Fixer DIN 11024 D2-52, zinc	13255	2	
Step middle part, Sprinter (FWD)	112430	700063982	1.28
Fixer DIN 11024 D2-52, zinc	13255		1.33
AL step RHF Sprinter 1510 mm	102113	700061188	1.29
AL step RHF Sprinter (FWD) 1730 mm	102338-01	700063981	
AL step RHF Iveco 1430 mm	102134	700061193	
AL step RHF Ford Transit 1930 mm	110193-01		
AL step LHF Sprinter 1510 mm	102132	700061187	1.30
AL step LHF Sprinter (FWD) 1730 mm	102338-02	700063980	
AL step LHF Iveco 1430 mm	102135	700061192	
AL step LHF Ford Transit 1930 mm	110193-02		
Rear left step Sprinter/Iveco		700061189	1.31
AL step LHR 900 mm	102133	1	
Rear step protection PVC	102131	1	
AL step LHR Sprinter/Ford Transit 520 mm complete (FWD)	110194-02	700063983	
Brackets for steps left side Iveco complete		700061350	1.32
Bracket for step, ass'y D	101890	5	
Support for alu-step, straight B	101892	2	
Support for alu-step, angled, left C	101911	2	
Support for alu-step, angled, right A	101910	1	
Brackets for steps right side Iveco complete		700061351	1.32
Bracket for step, ass'y D	101890	5	
Support for alu-step, straight B	101892	2	
Support for alu-step, angled, left C	101911	1	
Support for alu-step, angled, right A	101910	2	
Brackets for steps left/right side Sprinter complete		700061191	1.32
Support for alu-step, straight B	101892	1	
Support for alu-step, angled, left C	101911	2	
Support for alu-step, angled, right A	101910	2	
Bracket for alu-steps D	102077	5	
Bracket for step 369 mm (for box with underframe)	102856		
Aluminium pin for steps with fixer	S0099		1.33
Aluminium pin for steps	102207	1	
Fixer DIN 11024 D2-52, zinc	13255	1	
Side lamp 12V diode yellow	12008	700061204	1.35
Rear step protection PVC complete	S0100		1.36
Rear step protection PVC	102131	1	
Tubular rivet RH 4.8x18 A2 DIN 7337	10139	2	
Wheel guard J09, plastic black	11001		1.37
Wheel guard black 455 X 1600 R480 (FWD)	12934	700063992	

Description	Part Number CB (internal)	Part Number	Position in Catalog
Bracket for wheel guard, Sprinter	102107		1.38a
Bracket for wheel guard, Iveco	101988		1.38b
Rear underrun protection, Sprinter, NOT PAINTED	103132-01		1.39
Rear underrun protection, Iveco, NOT PAINTED	103152-01		
Rear underrun protection, Sprinter, PAINTED	103132-02		1.39
Rear underrun protection, Iveco, PAINTED	103152-02		
LED licence plate lamp	11173		1.40
Splash guard 260x240, without logo	12643		1.41
Mounting plate for CEE plug (Sprinter)	101671		1.42
Mounting plate for power inlet wide (Ford Transit)	111434		
<i>Painting*</i>			
LED braking light	10440		1.43
LED marking light (red)	12694		1.44
LED stripe 616mm above side doors	110318-01		1.45
LED connection cable	111670		
Wire cover for side LED strip, passenger side	10147		1.46
Wire cover for side LED strip, driver side	10148		

2. Interior components*

**Please order eutectic plates only for your actual needs. Storing eutectic plates without operation for more than 3 months can lead to corrosion inside the plate. In such case, manufacturer's warranty will not apply. If order on demand doesn't work, recommended storage temperature to avoid corrosion: -33 °C.*

Eutectic plate 1660x630x24, zinc coated	111765	700056700	2.01
Eutectic plate 1660x630x24, stainless steel	102436		
Eutectic plate 1660x630x24, stainless steel (for refrigerators produced after 2019)	111865		
Eutectic plate 1660x630x30, zinc coated	103257		
Eutectic plate 1660x630x35, zinc coated	103275		
Eutectic plate 1660x580x24, zinc coated	100306		
Eutectic plate 1660x580x24, stainless steel	100306-01		
Eutectic plate 1480x400x25, zinc coated	112556		2.11
Eutectic plate 1480x400x25, stainless steel	102835		
Eutectic plate 770x690x24, zinc coated	111077		2.02
Eutectic plate 770x690x24, stainless steel (for refrigerators produced after 2019)	111864		
Eutectic plate 770x630x24, zinc coated	101572	700056701	
Eutectic plate 770x630x24, stainless steel	102437		
Eutectic plate 770x580x24, zinc coated	100312		
Eutectic plate 770x580x25, stainless steel	100312-01		
Eutectic plate 770x400x25, zinc coated	112929		2.16
Eutectic plate 770x400x25, stainless steel	102840		
Eutectic plate mounting bracket	101740		2.37

Description	Part Number CB (internal)	Part Number	Position in Catalog
Eutectic plate mounting bracket	101739		2.38
Shelf for freezing compartment	100037	700056675	2.03
Shelf support for freezing compartment	103100	700056680	2.04
Shelf holder, easy fixing	102280		2.40
Partition lengthwise center 640x1080	100253		2.05
AL partition 1740x1080 CW	101777		2.06
AL partition 1740x965 CW	101778		
AL partition 818x1080 CW	101009		2.07
Spacer plate 550x1100	101659		2.08
Spacer plate 470x890	101854		2.09
Ladder 28x666 mm	101773		2.10
Ladder 37x660 mm	101774		
Handle, short	100980		2.12
Thermo expansion valve TD1	10885		2.13
Thermo expansion valve TS2	11076		
Thermo expansion valve TES2	11625		
Orifice 02 for TS2/TES2	11313		
Central locking device complete		700056692	2.14
Transverse rod for central locking system	100517	1	
Central locking device, left side	101189	1	
Central locking device, right side	101188	1	
Tube POM	101047	1	
Rests 531x438, freezing compartment floor, 1 pc	10014		2.15
Rests 531x438, freezing compartment floor, set (23 pcs)	10014	700056674	
Shelf support for engine compartment, right long	100235		2.17
Shelf support for engine compartment, left long	101850		
Shelf support for engine compartment, right short	102238		
Shelf support for engine compartment, left short	102248		
Rear shelf support for engine compartment, short	102233		
Lighting chain of 3 x LED modules	10290		2.19
Lamp LED inside lighting x 3 pcs module	10290-01		
Lighting chain of 2 x LED modules	10291		2.20
Lamp LED inside lighting x 2 pcs module	10291-01		
Holder for central locking device, right side	101079	700056694	2.21
Holder for central locking device, left side	101082	700056695	
Inner weatherstrip 1019x624	10380	700056630	2.22
Outer weatherstrip 1041x646	10379	700056631	2.23
Hinge, on doors, left female	100353-01	1	2.24 & 25
Hinge, on doors, right female	100354-01	1	
Set of hinges, left side		700056621	2.24 & 25
Hinge, on doors, left female	100353-01	1	
Hinge, left male	100351-01	1	
Screw Taptite 5x16 w. washer	10088	4	
Washer for door 12x7x0,8 Nylon	10318	2	

Description	Part Number CB (internal)	Part Number	Position in Catalog
Set of hinges, right side		700056622	
Hinge, on doors, right female	100354-01	1	2.24 & 25
Hinge, right male	100352-01	1	
Screw Taptite 5x16 w. washer	10088	4	
Washer for door 12x7x0,8 Nylon	10318	2	
Hinge left male, white	100351-01		2.24 & 25
Washer for door 12x7x0,8 Nylon	10318	2	
Screw Taptite 5x16 w. washer	10088	4	
Hinge right male, white	100352-01		2.24 & 25
Washer for door 12x7x0,8 Nylon	10318	2	
Screw Taptite 5x16 w. washer	10088	4	
Hinge left female, set		700056623	2.24 & 25
Hinge left female, white	100353-01	1	
Washer for door 12x7x0,8 Nylon	10318	2	
Screw Taptite 5x16 w. washer	10088	4	
Hinge right female, set		700056624	2.24 & 25
Hinge right female, white	100354-01	1	
Washer for door 12x7x0,8 Nylon	10318	2	
Screw Taptite 5x16 w. washer	10088	4	
Center hinge, set		700056620	2.26
Hinge right female, white	100350-01	1	
Washer for door 12x7x0,8 Nylon	10318	2	
Screw Taptite 5x16 w. washer	10088	4	
Thermometer, inner with bracket		700056705	2.27
Thermometer, inner without bracket	10084	1	
Bracket for inner thermometer	10086	1	
Drainage complete		700061390	2.28
Door stopper triangle	101669		2.29
Locking bracket last doors, Nylon	100294	700056641	2.30
Locking bolt with cone, M10	100334	700056640	2.31a
Locking bolt with cone, M8	100334-01		2.31b
Liquid silicone for the weatherstrip care, 1 L	10030		2.32
Stainless steel rail for door frame, short	100315		2.33
Plastic rail for door frame, short L-530	102809-02		
Stainless steel rail for door frame, long	100314		
Plastic rail for door frame, long L-960 mm	102809-01		
Bracket for door retainer	100419		2.34
Roll-Bond evaporator 1590x400x1.5 mm	103218		2.35
Rubber damper for hinge	103029-01		2.36
Rubber chassis spring	11388		
Cover for thermostat sensor	101320		2.39
Partition wall raiser 625 mm	101210		2.41
Partition wall raiser 820 mm	101858		2.42
Partition wall raiser 1650 mm	101211		2.43

Description	Part Number CB (internal)	Part Number	Position in Catalog
Shelf for engine room 830x652 mm, reinforced	101985		2.44
Pin \varnothing 10 with head	101680		2.45
Central lock bracket	102109		2.46
Draw bar for electrical central lock	101195		2.47
Rod, left side for electrical central lock	101678		2.48
Intermediate shaft, mechanical central lock	102544		
Central lock bar, left (electrical lock)	102165		2.49
Central lock bar, left (mechanical lock)	102259		
Central lock bar, right (mechanical lock)	102258		2.50
Joint for extra draw bar	101677		2.51
Central lock bracket, double handles	102543		2.52
Hand lever for central locking system 110 mm	10024-01		2.53

3. Compressor Compartment

Radiator \varnothing 380 mm ECO	13231	700061376	3.01
Radiator \varnothing 428 mm ECO	12161		
Start regulator KVL 22	10032		3.02
High pressure switch Danfoss ACB 24B422W	12186	700056769	3.03
Low pressure switch PS1-A3U	11814		3.04
ADK-304S Filter-Drier	14949		3.05
Humidity indicator SGI 10s	10028		3.06
Main switch handle	S1013		3.07
Compressor ZF09-K4E-TFD-556 with DTC valve	10119		3.08
Compressor ZF09-K4E-TF5-556 (Norway)	11176		
Compressor ZF11-K4E-TFD-556 with DTC Valve	10329		
Compressor ZF13-K4E-TF5-556 with DTC Valve	12174		
Control unit	112655	700056760	3.09a
Control unit (scand.)	11565		3.09b
Control unit 3x230V (Norway)	13106		3.09c
Control unit 12V	10964		
Thermostat, Ranco/Eliwell 016-6950-35	10062		3.10a
Thermostat STORK	S0064		3.10b
Thermostat RT 9	11442		3.10c
Linear actuator 750 N	10382		3.11
Linear actuator Linak (not suitable for CB bodies)	13349		
Extension rod for central lock	101048		3.12
Tube of central lever	102232	700056693	
Rod end for central lock	102515		3.13
Central lock bracket	102512		3.15
Central lock receiver (for boxes from 2020)	10418		3.16
Central lock receiver (for all boxes)	10418-01		3,16
Contactora 9A 24V 50/60Hz LC1K0910B7	S0031	700056765	3.17

Description	Part Number CB (internal)	Part Number	Position in Catalog
Time delay block LA2KT2E 24-48V 1-30s	S0032	700056766	3.18
Thermal Overload Relay Telemecanique LR2K0314	S0030	700056764	3.19
Contractor 9A 24V 50/60Hz LC1K09008B7	S0102		3.20
DTC valve 89°C for systems with R507	10619		3.21
DTC valve 120°C for systems with R452/R448	12351		
Load break switch ENSTO KS 31.40	S0034		3.22
Impulse relay iTLI 2P 1NO+1NC 16A 24VAC (15503)	S0070		3.23
Phase monitor relay DPA01CM44	S0076		3.24
Circuit breaker iC60N C1 1P 1A	S0028		3.25
Circuit breaker iC60N C6 1P 6A	S0029		3.26
Capacitor 6µF ±5% EN60252 400/450Vac	S0033		3.27
Capacitor 16µF ±5% for Spain bodies	13238		
Transformator S50 ITR 1703 109 230/22V 50VA	S0009	700061203	3.28
Ventilator EBM S4D350-AT24-52 120W ø380 mm (piece)	12052		3.29
Ventilator EBM S4D350-AT24-52 120W ø380 mm complete		700056715	
Ventilator EBM S4D350-AT24-52 120W ø380 mm (pc)	12052	1	
Spacer bush for ventilator	101708	4	
Washer M6 A2 DIN 9021	10117	4	
Screw M6.3x38 FZB DIN7976	12162	4	
Fan, Ziehl Abegg ø420 mm	10328		
Fan, Ziehl Abegg, 420 mm 270W, cmpl.	10328-01		3.29
Extension cable	10386		3.30
Extension cable 3x230V (Norway)	13141		
Holder for spare central lock lever	102479		3.31
Set of spare central lock lever (mechanical)		700056691	3.32
Hand lever for central locking system	10024	1	
Extension rod for central lock	101048	1	
Console for hand lever	101198	1	
Insulation for compressor room doors	S0053		3.33a
Sound isolation doors	102193		3.33b
Battery charger Victron 12V/10A	11036		3.34
Solenoid valve 110RB2T3	11807		3.35
Solenoid valve coil ASC3 24VAC	11808		3.36
Discharge gas temperature protection	S1014		3.37
Solenoid valve Danfoss EVR6	13382		3.38
Solenoid valve's coil Danfoss BJ024CS	13383		3.39
Controller Carel DN33W9MR20, preprogrammed	13695		3.40
Pressure sensor PT5-07M	10029		3.41
Reset button	S1012		3.42
Schrader valves 6 mm	10159		3.43
Receiver, Frigomecc 4.6l	11261		3.44
Transmitter PT100	S0001		3.45
Relay Merlin Gerin multi 9 TLI 16A, 24V AC, 12V DC	S0027	700056767	3.46

Description	Part Number CB (internal)	Part Number	Position in Catalog
Relay Merlin Gerin multi 9 ETL 16A, 24V AC, 12V DC	S0019		3.47
RTH time delay relay Product Ref.: 16065	S0008		3.48
Control Relay RM4TG20 220-440Vac 50/60Hz	S0018		3.49
Controller EKC 315A	10143		3.50
Contacto 24V Telemecanique LP4K0901BW3	S0026		3.51
Transformer EASY400-POW	S0024		3.52
Transmitter INOR APAQ-3LPT	S0057		3.53
Thermal overload relay Telemecanique LR2K0314	S0056		3.54
Circuit breaker multi 9 Merlin Gerin C60N C2 1P 2A	S0058		3.55
Memory module for EASY 800	S0025		3.56
Control relay EASY819-DC-RC	S0002		3.57
Auxiliary contacts LA1KN22	S0086		3.59

4. Rear Panel Components

Rear window	102168		4.01
Frame for rear poster window <i>Painting**</i>	102669		4.02
Rear spoiler (not painted)	112723		4.03
Base for rear spoiler <i>Painting**</i>	112724		
Rear shelf 1000x170x 35 (for refrigerators produced until 2019)	102128-01		4.04
Rear shelf 1000x170x 85 (for refrigerators produced after 2019)	112719-01		
PA handle for rear window 141x42, black	10498		4.05
LED strip 12V 3.7W 522 mm for rear window	11538-01		4.06
Advertising frame 1605x1155 w/o glass	11803		4.07
Glass Anti-reflex 2x1110x1560 for advertising frame	12848		
Ball joint M8, galvanized	10607		4.08
Aluminium hinge profile (on body)	13263		4.09
Aluminium hinge profile (on window)	13264		
LED tail light S/T/DI	11559		4.10
Bracket for gas-spring (on window)	100460		4.11
Lift gas-spring 500Nm	10606		4.12
Bracket for gas-spring (on body)	112717		4.13
Air vent on the rear window	11527		4.14
Magnet for rear window	10586		4.15
Rear window magnet plate	103085		4.16